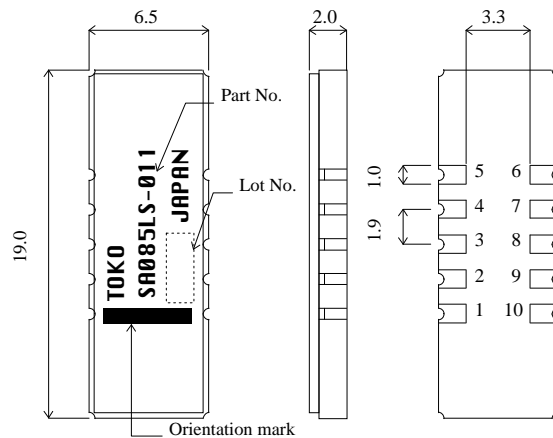


1. Overall Dimensions

Preliminary



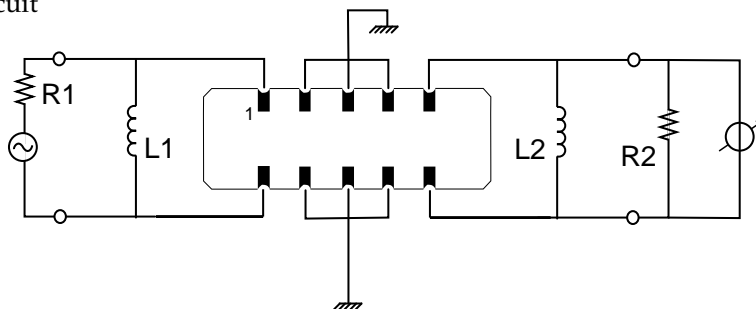
Input: 1, 10 balanced
 Output: 5, 6 balanced
 Ground: 2, 3, 4, 7, 8, 9

2. Electrical Characteristics

2.1	Center Frequency (Fo)	:	85.38 MHz
2.2	Passband Width 5 dB Bandwidth	:	Fo+0.611 / -0.604 MHz
2.3	Stopband Attenuation Fo +0.89, -0.90 MHz	:	30 dB min
2.4	Passband Ripple	:	0.70 dB max @ Fo ± 0.30 MHz
2.5	Insertion Loss at Fo Triple Transit Suppression	:	14 - 17 dB 30 dB min
2.6	Phase Linearity	:	1.5 Degrees RMS Fo ± 0.445 MHz
2.7	Maximum Input Power	:	TBD
2.8	Operation Temperature	:	-30 -> 80 °C
2.9	Source and Load Impedance	:	(source=1000, load = 500) ohms nominal

[Note: All tests made with triple transit removed]

3. Test Circuit

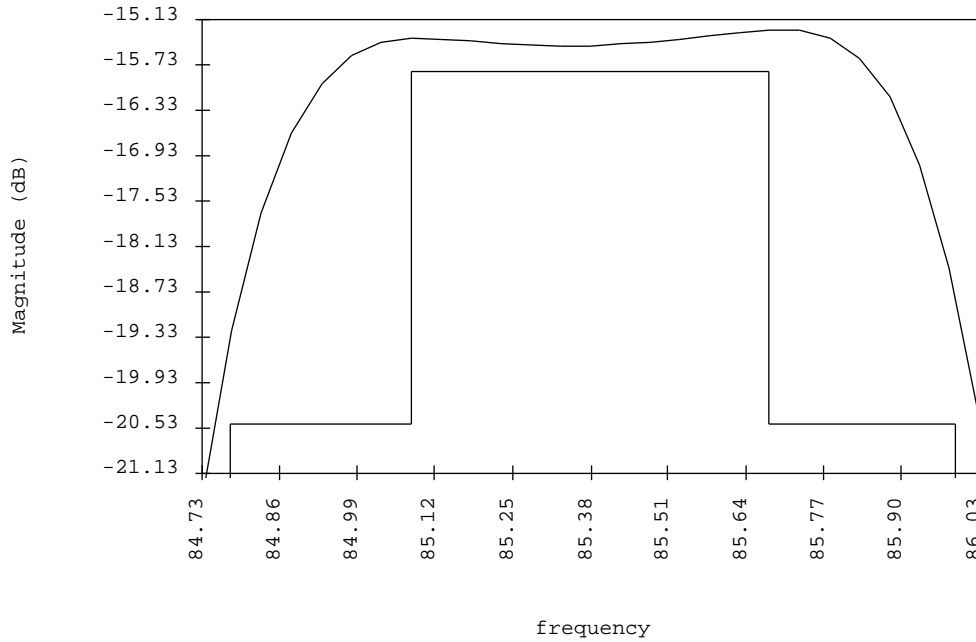


R1 = 650 Ω
 R2 = 480 Ω
 L1 = 340 nH
 L2 = 300 nH

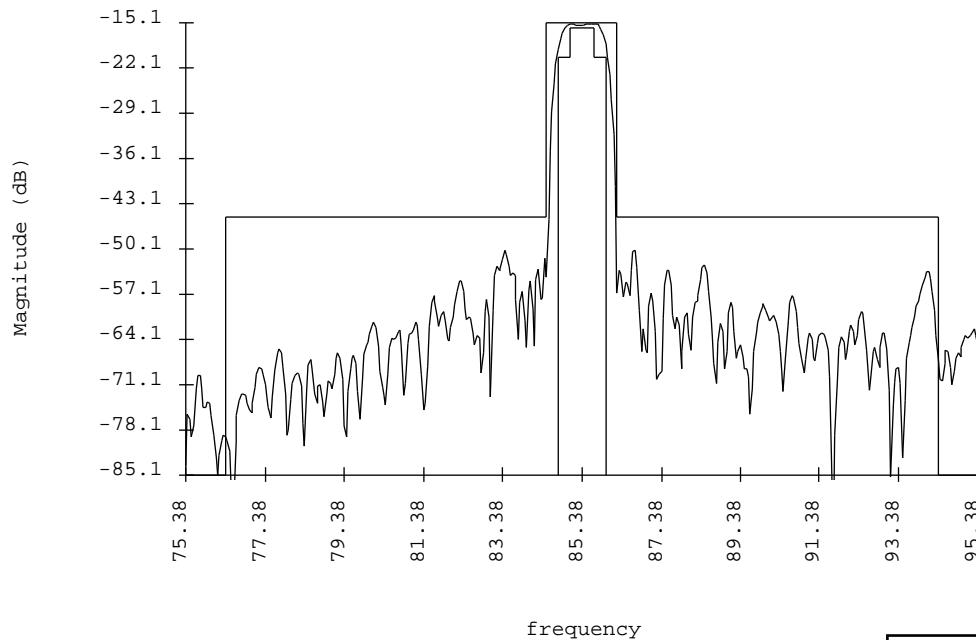
4. Frequency Response

Preliminary

Tuned -011 Device, Triple Transit Removed



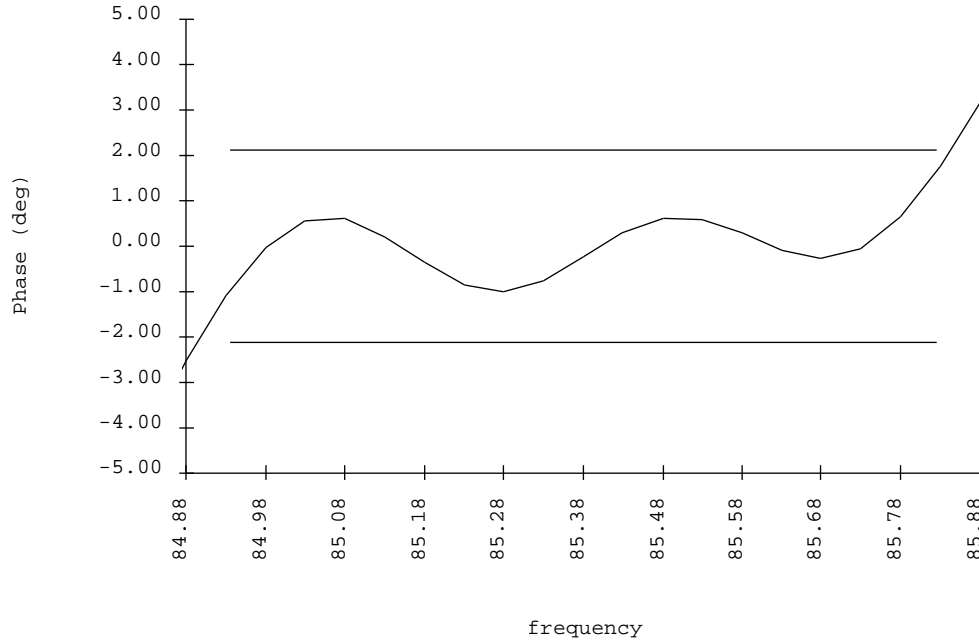
Typical SA085LS-011 Device at Room Temperature



5. Sample Data

Preliminary

Tuned -011 Device, Triple Transit Removed



Tuned SA085LS-011

